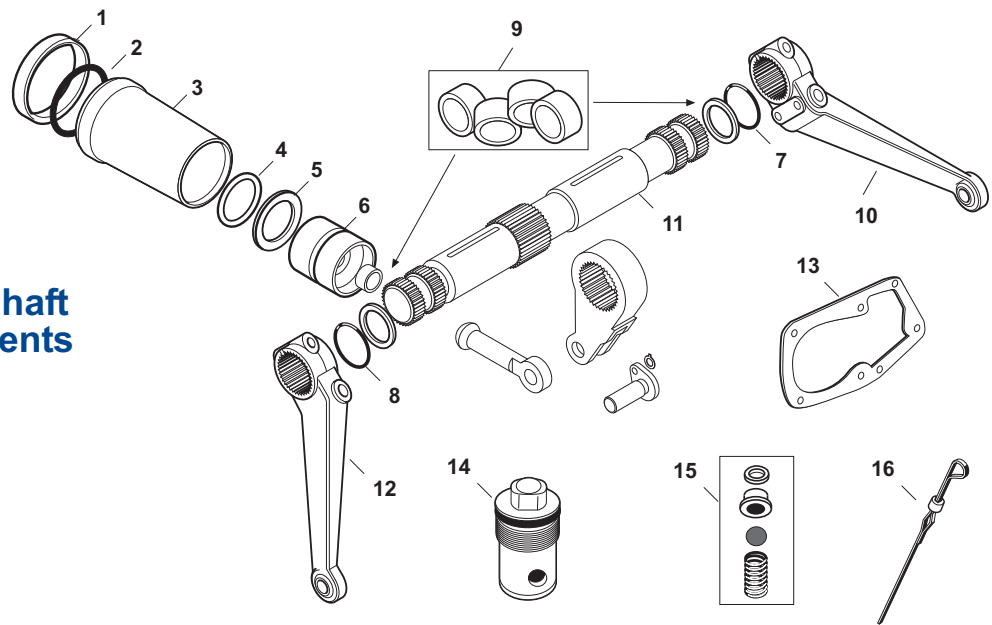


Sparex Replacement Parts - Long

Lift Cylinder, Cross Shaft and Related Components



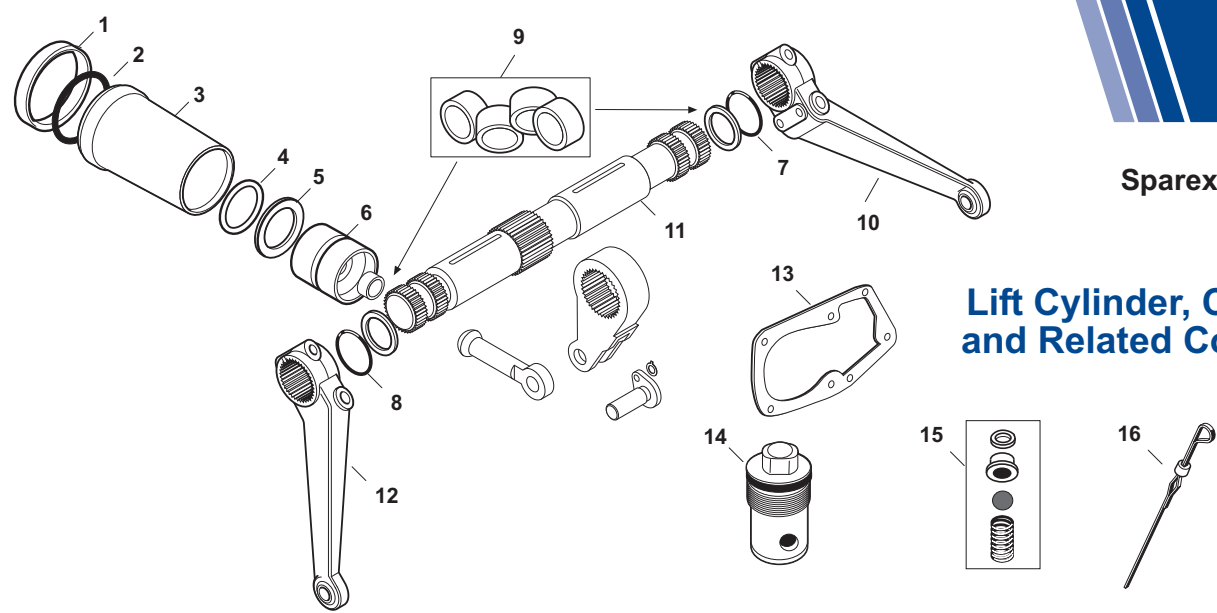
SPAREX No.	DESCRIPTION	EQUIVALENT	TRACTOR MODEL
1	S.62439 Back-up Ring (Use w/ 90mm Cylinder)	TX11285	260C, 310, 310DT, 310C, (350, 360, 360C, 445, 445DT, 445SD, 445V, 460, 460DT, 460SD, 460V, 510, 510DT Old Style)
1	S.62440 Back-up Ring (Use w/ 95mm Cylinder)	TX12279	(350, 360, 360C, 445, 445DT, 445SD, 445V, 460, 460DT, 460SD, 460V, 510, 510DT New Style), 550, 550DT, 560, 560DT, 560DTE, 610, 610DT, 610DTE, 610C, 2510, 2510DTC, 2510SD, 2510SD-DTC, 2610, 2610DTC, 2610SD, 2610SD-DTC, 2360, 2360DTC, 2460, 2460DTC, 24460SD, 2460SD-DTC
2	S.06797 O-Ring (Use w/ 90mm Cylinder)	TX50297	260C, 310, 310DT, 310C, (350, 360, 360C, 445, 445DT, 445SD, 445V, 460, 460DT, 460SD, 460V, 510, 510DT Old Style), 560, 560DT, 560DTE, 610, 610DT, 610DTE
2	S.62442 O-Ring (Use w/ 95mm Cylinder)	TX50684	(350, 360, 360C, 445, 445DT, 445SD, 445V, 460, 460DT, 460SD, 460V, 510, 510DT New Style), 550, 550DT, 560, 560DT, 560DTE, 610, 610DT, 610DTE, 610C, 2510, 2510DTC, 2510SD, 2510SD-DTC, 2610, 2610DTC, 2610SD, 2610SD-DTC, 2360, 2360DTC, 2460, 2460DTC, 24460SD, 2460SD-DTC
3	S.59123 Cylinder (90mm Bore)	TX11283	260C, 310, 310DT, 310C, (350, 360, 360C, 445, 445DT, 445SD, 445V, 460, 460DT, 460SD, 460V, 510, 510DT Old Style)
3	S.59124 Cylinder (95mm Bore)	TX12278	(350, 360, 360C, 445, 445DT, 445SD, 445V, 460, 460DT, 460SD, 460V, 510, 510DT New Style), 550, 550DT, 560, 560DT, 560DTE, 610, 610DT, 610DTE, 610C, 2510, 2510DTC, 2510SD, 2510SD-DTC, 2610, 2610DTC, 2610SD, 2610SD-DTC
4	S.06798 O-Ring (Use w/ 90mm Piston)	TX50278	260C, 310, 310DT, 310C, (350, 360, 360C, 445, 445DT, 445SD, 445V, 460, 460DT, 460SD, 460V, 510, 510DT Old Style)
4	S.04431 O-Ring (Use w/ 95mm Piston)	TX50682	(350, 360, 360C, 445, 445DT, 445SD, 445V, 460, 460DT, 460SD, 460V, 510, 510DT New Style), 550, 550DT, 560, 560DT, 560DTE, 610, 610DT, 610DTE, 610C, 2510, 2510DTC, 2510SD, 2510SD-DTC, 2610, 2610DTC, 2610SD, 2610SD-DTC, 2360, 2360DTC, 2460, 2460DTC, 24460SD, 2460SD-DTC
5	S.62441 Back-up Ring (Use w/ 90mm Piston)	TX11335	260C, 310, 310DT, 310C, (350, 360, 360C, 445, 445DT, 445SD, 445V, 460, 460DT, 460SD, 460V, 510, 510DT Old Style)
5	S.62443 Back-up Ring (Use w/ 95mm Piston)	TX12280	(350, 360, 360C, 445, 445DT, 445SD, 445V, 460, 460DT, 460SD, 460V, 510, 510DT New Style), 550, 550DT, 560, 560DT, 560DTE, 610, 610DT, 610DTE, 610C, 2510, 2510DTC, 2510SD, 2510SD-DTC, 2610, 2610DTC, 2610SD, 2610SD-DTC, 2360, 2360DTC, 2460, 2460DTC, 24460SD, 2460SD-DTC
6	S.59125 Piston (90mm)	TX11248	260C, 310, 310DT, 310C, (350, 360, 360C, 445, 445DT, 445SD, 445V, 460, 460DT, 460SD, 460V, 510, 510DT Old Style)
6	S.59126 Piston (95mm)	TX12277	(350, 360, 360C, 445, 445DT, 445SD, 445V, 460, 460DT, 460SD, 460V, 510, 510DT New Style), 550, 550DT, 560, 560DT, 560DTE, 610, 610DT, 610DTE, 610C, 2510, 2510DTC, 2510SD, 2510SD-DTC, 2610, 2610DTC, 2610SD, 2610SD-DTC, 2360, 2360DTC, 2460, 2460DTC, 2460SD, 2460SD-DTC

Please see Index for alternative O.E. part numbers.

These parts are Sparex parts and are not manufactured by the Original Equipment Manufacturer. Original Equipment Manufacturer names, part numbers and descriptions are quoted for reference purposes only.



Sparex Replacement Parts - Long



Lift Cylinder, Cross Shaft and Related Components

SPAREX No.	DESCRIPTION	EQUIVALENT	TRACTOR MODEL
7	S.01955 O-Ring - RH	TX50295	260C, 310, 310DT, 310C, 350, 360, 360C, 445, 445DT, 445SD, 445V, 460, 460DT, 460SD, 460V, 510, 510DT, 560, 560DT, 560DTE, 610, 610DT, 610DTE, 610C, 2510, 2510DTC, 2510SD, 2510SD-DTC, 2610, 2610DTC, 2610SD, 2610SD-DTC, 2360, 2360DTC, 2460, 2460DTC, 24460SD, 2460SD-DTC
8	S.10430 O-Ring - LH	TX50294	260C, 310, 310DT, 310C, 350, 360, 360C, 445, 445DT, 445SD, 445V, 460, 460DT, 460SD, 460V, 510, 510DT, 560, 560DT, 560DTE, 610, 610DT, 610DTE, 610C, 2510, 2510DTC, 2510SD, 2510SD-DTC, 2610, 2610DTC, 2610SD, 2610SD-DTC, 2360, 2360DTC, 2460, 2460DTC, 24460SD, 2460SD-DTC
9	S.62271 Bushing Kit	TX11328 TX11329	260C, 310, 310DT, 310C, 350, 360, 360C, 445, 445DT, 445SD, 445V, 460, 460DT, 460SD, 460V, 510, 510DT, 560, 560DT, 560DTE, 610, 610DT, 610DTE, 610C
10	S.67286 Lift Arm - RH	TX11262	260C, 310, 310DT, 310C, 350, 360, 360C, 445, 445DT, 445SD, 445V, 460, 460DT, 460SD, 460V, 510, 510DT, 550, 550DT, 560, 560DT, 560DTE, 610, 610DT, 610DTE, 610C, 2510, 2510DTC, 2510SD, 2510SD-DTC, 2610, 2610DTC, 2610SD, 2610SD-DTC, 2360, 2360DTC, 2460, 2460DTC, 2460SD, 2460SD-DTC
11	S.67284 Cross Shaft	TX11279	260C, 310, 310DT, 310C, 350, 360, 360C, 445, 445DT, 445SD, 445V, 460, 460DT, 460SD, 460V, 510, 510DT, 550, 550DT, 560, 560DT, 560DTE, 610, 610DT, 610DTE, 610C, 2510, 2510DTC, 2510SD, 2510SD-DTC, 2610, 2610DTC, 2610SD, 2610SD-DTC, 2360, 2360DTC, 2460, 2460DTC, 2460SD, 2460SD-DTC
12	S.67285 Lift Arm - LH	TX11262	260C, 310, 310DT, 310C, 350, 360, 360C, 445, 445DT, 445SD, 445V, 460, 460DT, 460SD, 460V, 510, 510DT, 550, 550DT, 560, 560DT, 560DTE, 610, 610DT, 610DTE, 610C, 2510, 2510DTC, 2510SD, 2510SD-DTC, 2610, 2610DTC, 2610SD, 2610SD-DTC, 2360, 2360DTC, 2460, 2460DTC, 2460SD, 2460SD-DTC
13	S.62438 Gasket - Control Valve Cover	TX12590 TX11302	260C, 310, 310DT, 310C, 350, 360, 360C, 445, 445DT, 445SD, 445V, 460, 460DT, 460SD, 460V, 510, 510DT, 560, 560DT, 560DTE, 610, 610DT, 610DTE, 610C, 2510, 2510DTC, 2510SD, 2510SD-DTC, 2610, 2610DTC, 2610SD, 2610SD-DTC, 2360, 2360DTC, 2460, 2460DTC, 2460SD, 2460SD-DTC
14	S.62272 Relief Valve	TX11247	260C, 310, 310DT, 310C, 350, 360, 360C, 445, 445DT, 445SD, 445V, 460, 460DT, 460SD, 460V, 510, 510DT, 560, 560DT, 560DTE, 610, 610DT, 610DTE, 610C
15	S.67265 Inlet Valve Kit	TX11304 TX11305 TX11306 TX50993	260C, 310, 310DT, 310C, 350, 360, 360C, 445, 445DT, 445SD, 445V, 460, 460DT, 460SD, 460V, 510, 510DT, 550, 550DT, 560, 560DT, 560DTE, 610, 610DT, 610DTE, 610C, 2510, 2510DTC, 2510SD, 2510SD-DTC, 2610, 2610DTC, 2610SD, 2610SD-DTC, 2360, 2360DTC, 2460, 2460DTC, 2460SD, 2460SD-DTC
16	S.69870 Dipstick	TX11667 TX17084	260C, 310, 310DT, 310C, 350, 360, 360C, 445, 445DT, 445SD, 445V, 460, 460DT, 460SD, 460V, 510, 510DT, 560, 560DT, 560DTE, 610, 610DT, 610DTE, 610C, 2510, 2510DTC, 2510SD, 2510SD-DTC, 2610, 2610DTC, 2610SD, 2610SD-DTC, 2360, 2360DTC, 2460, 2460DTC, 2460SD, 2460SD-DTC

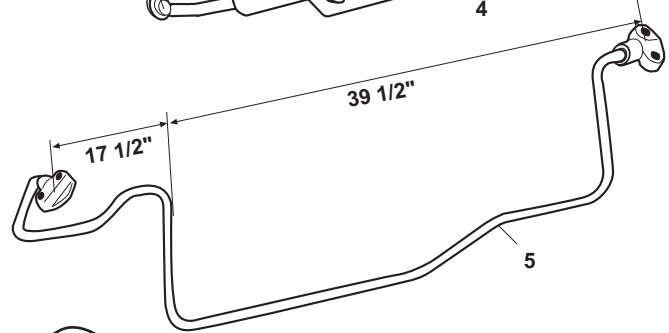
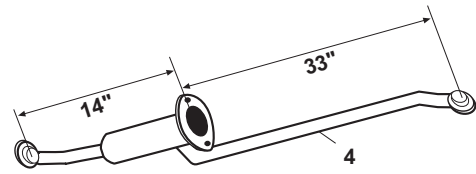
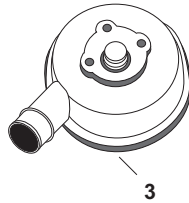
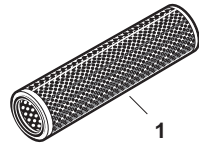
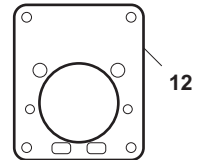
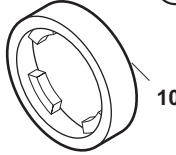
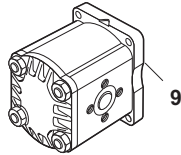
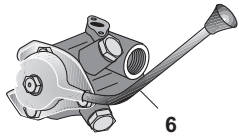
Please see Index for alternative O.E. part numbers.

These parts are Sparex parts and are not manufactured by the Original Equipment Manufacturer.

Original Equipment Manufacturer names, part numbers and descriptions are quoted for reference purposes only.

Sparex Replacement Parts - Long

Hydraulics and Related Components



SPAREX No.	DESCRIPTION	EQUIVALENT	TRACTOR MODEL
1	S.62224 Filter - Cartridge	TX11240	260C, 310, 310DT, 310C, 350, 360, 360C, 445, 445DT, 445SD, 445V, 460, 460DT, 460SD, 460V, 510, 510DT, 560, 560DT, 560DTE, 610, 610DT, 610DTE, 610C, 2310, 2260
2	S.62225 Filter - Spin-on (OD=4.44", ID=1 1/8"-16, Height=5.94")	TX17200	2510, 2510DTC, 2510SD, 2510SD-DTC, 2610, 2610DTC, 2610SD, 2610SD-DTC, 2360, 2360DTC, 2460, 2460DTC, 2460SD, 2460SD-DTC
3	S.59196 Filter - Base - Spin-on Filter	TX17201	2510, 2510DTC, 2510SD, 2510SD-DTC, 2610, 2610DTC, 2610SD, 2610SD-DTC, 2360, 2360DTC, 2460, 2460DTC, 2460SD, 2460SD-DTC
4	S.61989 Tube - Suction (Check Dimensions)		Various
5	S.61986 Tube - Pressure (Check Dimensions)		Various
6	S.58957 Remote Valve - RH Mount	TX11266	260C, 310, 310DT, 310C, 350, 360, 360C, 445, 445DT, 445SD, 445V, 460, 460DT, 460SD, 460V, 510, 510DT, 560, 560DT, 560DTE, 610, 610DT, 610DTE, 610C, 2510, 2510DTC, 2510SD, 2510SD-DTC, 2610, 2610DTC, 2610SD, 2610SD-DTC, 2360, 2360DTC, 2460, 2460DTC, 24460SD, 2460SD-DTC
7	S.62223 Spring - Return - Remote Valve	TX11346	260C, 310, 310DT, 310C, 350, 360, 360C, 445, 445DT, 445SD, 445V, 460, 460DT, 460SD, 460V, 510, 510DT, 560, 560DT, 560DTE, 610, 610DT, 610DTE, 610C, 2510, 2510DTC, 2510SD, 2510SD-DTC, 2610, 2610DTC, 2610SD, 2610SD-DTC, 2360, 2360DTC, 2460, 2460DTC, 24460SD, 2460SD-DTC
8	S.14642 Seal Kit - Hydraulic Pump		Repairs OEM & Sparex pumps listed on L7/page 4
9	S.62217 Hydraulic Pump - (See p.4 for Dimensions) For added pump capacity use either S.62218 or S.62219	TX11234	260C, 310, 310DT, 310C, 350, 360, 360C, 445, 445DT, 445SD, 445V, 460, 460DT, 460SD, 460V, 510, 510DT, 560, 560DT, 560DTE, 610, 610DT, 610DTE, 610C
10	S.62484 Coupler Ring	TX11904	260C, 310, 310C, 310DT, 320, 350, 360, 360C, 445, 445V, 445DT, 460, 460V, 460DT, 510, 510DT, 550, 550DT, 560, 560DT, 560DTE, 610, 610C, 610DT, 610DTE, 2310, 2510, 2510SD, 2510DTC, 2510SD-DTC, 2610, 2610SD, 2610DTC, 2610SD-DTC, 2260, 2360, 2360DTC, 2460, 2460SD, 2460DTC, 2460SD-DTC
11	S.62485 Hub - Pump Drive	TX11903	260C, 310, 310C, 310DT, 320, 350, 360, 360C, 445, 445V, 445DT, 460, 460V, 460DT, 510, 510DT, 550, 550DT, 560, 560DT, 560DTE, 610, 610C, 610DT, 610DTE, 2310, 2510, 2510SD, 2510DTC, 2510SD-DTC, 2610, 2610SD, 2610DTC, 2610SD-DTC, 2260, 2360, 2360DTC, 2460, 2460SD, 2460DTC, 2460SD-DTC
12	S.62598 Gasket - Pump Mounting	TX10117	260C, 310, 310C, 310DT, 320, 350, 360, 360C, 445, 445V, 445DT, 460, 460V, 460DT, 510, 510DT, 550, 550DT, 560, 560DT, 560DTE, 610, 610C, 610DT, 610DTE, 2310, 2510, 2510SD, 2510DTC, 2510SD-DTC, 2610, 2610SD, 2610DTC, 2610SD-DTC, 2260, 2360, 2360DTC, 2460, 2460SD, 2460DTC, 2460SD-DTC

Please see Index for alternative O.E. part numbers.

These parts are Sparex parts and are not manufactured by the Original Equipment Manufacturer. Original Equipment Manufacturer names, part numbers and descriptions are quoted for reference purposes only.

Hydraulic Pumps - Power Steering

Sparex Replacement
Parts - Long

COUNTER CLOCKWISE ROTATION			
<p>S.60283</p> <p>A= 42mm / 1.65" B= 70.98mm / 2.79" Suction Side: C= 13mm / .51" D= 30.70mm / 1.20" Bolt Holes= 8mm x 1.25 Thread Pressure Side: C= 13mm / .51" D= 30.70mm / 1.20" Bolt Holes= 6mm x 1.20 Thread Gal. per min (Approx)= 6.6 Liters per min.= 25 Counter Clockwise Rotation</p>	<p>S.62213</p> <p>A= 58mm / 2.28" B= 70.98mm / 2.79" Suction Side: C= 19mm / .75" D= 40.5mm / 1.59" Bolt Holes= 8mm x 1.25 Thread Pressure Side: C= 14.26mm / .255" D= 30.70mm / 1.20" Bolt Holes= 6mm x 1.20 Thread Gal. per min (Approx)= 6.6 Liters per min.= 25 Counter Clockwise Rotation</p>	<p>S.62214</p> <p>A= 67.66mm / 2.66" B= 70.98mm / 2.79" Suction Side: C= 19mm / .75" D= 40.5mm / 1.59" Bolt Holes= 8mm x 1.25 Thread Pressure Side: C= 14.26mm / .255" D= 30.70mm / 1.20" Bolt Holes= 6mm x 1.20 Thread Gal. per min (Approx)= 8.1 Liters per minute= 31 Counter Clockwise Rotation</p>	<p>S.62215</p> <p>A= 64.02mm / 2.52" B= 70.98mm / 2.79" Suction Side: C= 19mm / .75" D= 40.5mm / 1.59" Bolt Holes= 8mm x 1.25 Thread Pressure Side: C= 14.26mm / .255" D= 30.70mm / 1.20" Bolt Holes= 6mm x 1.20 Thread Gal. per min (Approx)= 11.0 Liters per minute= 42 Counter Clockwise Rotation</p>
CLOCKWISE ROTATION			
<p>S.62216</p> <p>A= 40.01mm / 1.85" B= 70.98mm / 2.79" Pressure Side: C= 12.70mm / .50" D= 30.70mm / 1.20" Bolt Holes= 6mm x 1.0 Thread Suction Side: C= 12.70mm / .50" D= 30.70mm / 1.20" Bolt Holes= 6mm x 1.0 Thread Gal. per min (Approx)= 4.7 Liters per minute= 18 Clockwise Rotation</p>	<p>S.62217</p> <p>A= 58mm / 2.28" B= 70.98mm / 2.79" Pressure Side: C= 14.21mm / .55" D= 30.70mm / 1.20" Bolt Holes= 6mm x 1.0 Thread Suction Side: C= 19mm / .75" D= 40.50mm / 1.59" Bolt Holes= 6mm x 1.0 Thread Gal. per min (Approx)= 6.6 Liters per minute= 25 Clockwise Rotation</p>	<p>S.62218</p> <p>A= 63mm / 2.48" B= 70.98mm / 2.79" Pressure Side: C= 14.21mm / .55" D= 30.70mm / 1.20" Bolt Holes= 6mm x 1.0 Thread Suction Side: C= 19mm / .75" D= 40.50mm / 1.59" Bolt Holes= 8mm x 1.25 Thread Gal. per min (Approx)= 8.7 Liters per minute= 33 Clockwise Rotation</p>	<p>S.62219</p> <p>A= 64.68mm / 2.54" B= 70.98mm / 2.79" Pressure Side: C= 14.21mm / .55" D= 30.70mm / 1.20" Bolt Holes= 6mm x 1.0 Thread Suction Side: C= 19mm / .75" D= 40.50mm / 1.59" Bolt Holes= 8mm x 1.25 Thread Gal. per min (Approx)= 11 Liters per minute= 42 Clockwise Rotation</p>

WARNING: Check DIRECTION of ROTATION. Warranty Void if Improperly Installed!

Please see Index for alternative O.E. part numbers.

These parts are Sparex parts and are not manufactured by the Original Equipment Manufacturer.

Original Equipment Manufacturer names, part numbers and descriptions are quoted for reference purposes only.